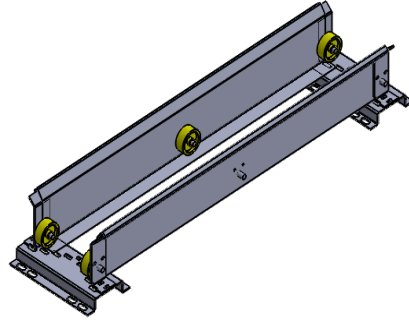
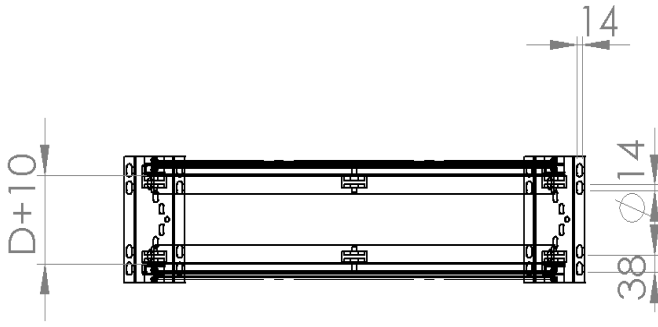
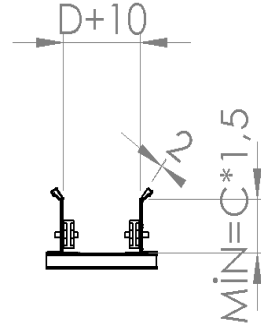
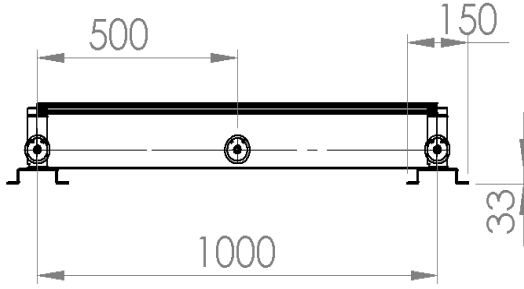


5TEKERLEKLİ TAVA; HAREKET BOYUNDA BİR TAVA VE YARIDAN SONRASINDA SÜRTÜNMEYİ AZALATMAK İÇİN TEKERLEK KULLANILMIŞTIR. KANAL RESİM 11 DEKİ GİBİ SARKARAK ÇALIŞIR

5WHEELED TRAYS: THERE IS USED ONE TRAY AND WHEELS ON THE HALF OF THE CHAIN TO HAVE LESS FRICTION DURING MOVING. CHANNEL WORKS IN SAGGING MOVEMENT. SEE FIG. 11.



RESİM11

